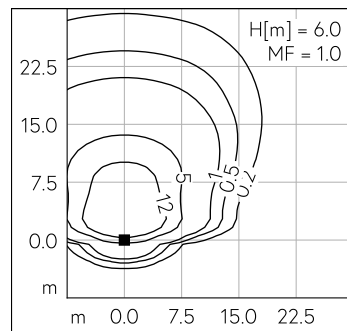
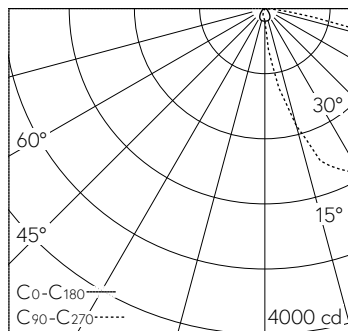
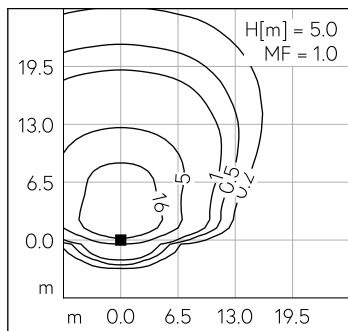
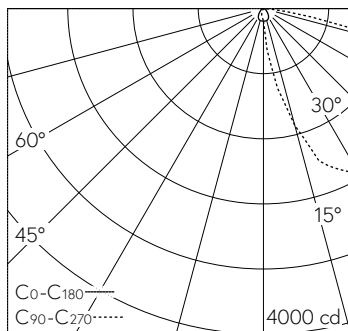


LED 3000 K 52 W 7174 lm-h H = 4 m / CIE Flux 32 67 95 100 100 / A20 selon DIN 5...

LED 3000 K 52 W 7174 lm-h H = 4.5 m / CIE Flux 32 67 95 100 100 / A20 selon DIN ...



LED 3000 K 52 W 7174 lm-h H = 5 m / CIE Flux 32 67 95 100 100 / A20 selon DIN 5...

LED 3000 K 52 W 7174 lm-h H = 6 m / CIE Flux 32 67 95 100 100 / A20 selon DIN 5...