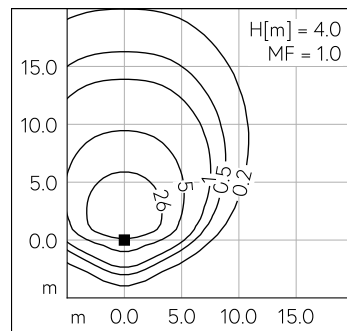
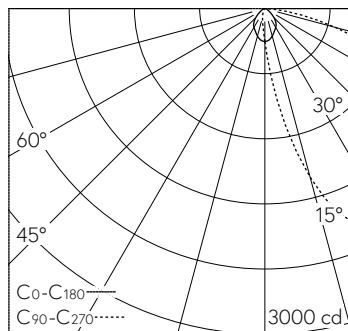
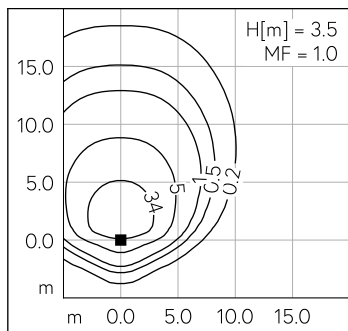
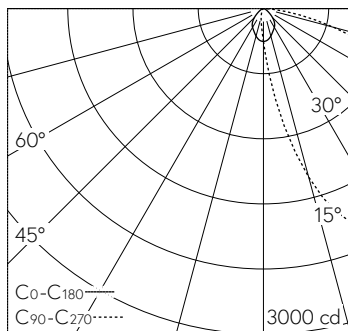


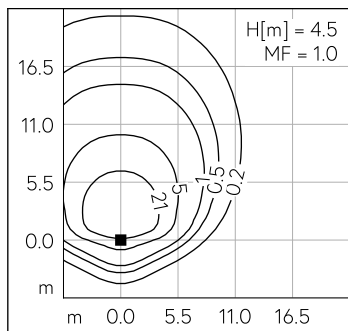
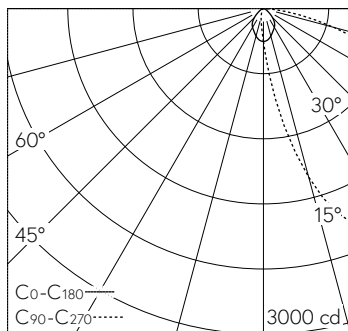
LED 4000 K 26.6 W 2728 lm-h H = 5 m / CIE Flux 43 81 97 100 100 / A40 selon DIN ...

LED 4000 K 26.6 W 2728 lm-h H = 3 m / CIE Flux 43 81 97 100 100 / A40 selon DIN ...



LED 4000 K 26.6 W 2728 lm-h H = 3.5 m / CIE Flux 43 81 97 100 100 / A40 selon DI...

LED 4000 K 26.6 W 2728 lm-h H = 4 m / CIE Flux 43 81 97 100 100 / A40 selon DIN ...



LED 4000 K 26.6 W 2728 lm-h H = 4.5 m / CIE Flux 43 81 97 100 100 / A40 selon DI...